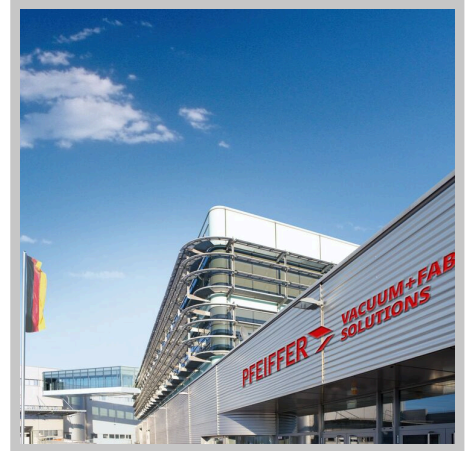




**Centering ring with  
fine filter, 0,004 mm  
pore size, stainless  
steel, FKM, DN 16 ISO-  
KF**



**PFEIFFER** 

# Centering ring

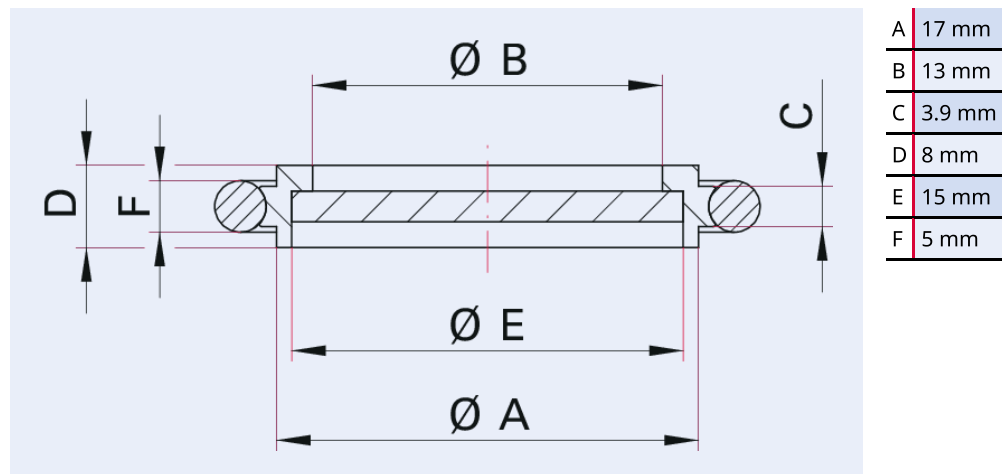


Illustration only

## Centering ring with fine filter, 0,004 mm pore size, stainless steel, FKM, DN 16 ISO-KF

- With fine filter made of stainless steel 316L/1.4404
- Mesh size (average pore size): approx. 0.004 mm
- With FKM-o-ring

## Dimensions



<b>Technical Data</b>	<b>Centering ring with fine filter, 0,004 mm pore size, stainless steel, FKM, DN 16 ISO-KF</b>
Mesh	Average pore diameter: Approximately 0.02 mm or 0.004 mm
O-ring material	FKM
Temperature range	15 – 150 °C
Connection flange	DN 16 ISO-KF
Usage	Gauge with DN 16 ISO-KF
Material	Filter stainless steel 1.4404/316L, Centering Ring Stainless Steel 1.4305/303, Snab Ring Stainless Steel 1.4301/304
Temperature range max.	150 °C   302 °F   423.15 K
Temperature range min.	15 °C   5 °F   258.15 K

<b>Order number</b>	<b>Centering ring with fine filter, 0,004 mm pore size, stainless steel, FKM, DN 16 ISO-KF</b>
Centering ring with fine filter, 0,004 mm pore size, stainless steel, FKM, DN 16 ISO-KF	PT 120 132 -T



Errors and/or changes excepted. - 5/14/2025

Are you looking for an optimum vacuum solution?

Talk to us:

**Pfeiffer Vacuum Components & Solutions GmbH Germany**

**T +49 551 99963-0**

**info-cs@pfeiffer-vacuum.com**

Or scan the barcode, to visit our web page:



<https://webportal.pfeiffer-vacuum.com/global/en/contact>

Follow Us On Social Media

#pfeiffervacuum



[www.pfeiffer-vacuum.com](http://www.pfeiffer-vacuum.com)

**PFEIFFER** 